

Smart Swivel Installation & User Manual

General view of the Smart Swivel



Index

1. Safety..... 5
 1.1 Intended use..... 5
 1.2 Personnel requirements..... 5

2. Installation..... 6
 2.1 Safety information for installation.....6
 2.2 Checklist before installation.....6-8
 2.3 Swivel overview..... 9
 2.4 Mounting details.....9
 2.5 Installation guide of the Swivel.....10-12
 2.6 Standard Threaded Steel Screws.....13

3. Operating instructions..... 14
 3.1 How to operate the Smart Swivel..... 14
 3.2 Before departure.....14

Foreword

Dear reader,

These Installation Instructions serve to provide all information required for a correct and safe installation of the Smart Swivel. The Swivel is designed and constructed in accordance with state-of-the-art technology and recognised safety standards.

This document must not be reproduced or duplicated, in full or in part, without the prior, written permission of the manufacturer.

Guarantee

Use only original spare parts, hardware or spare parts which have been approved of by the manufacturer.

If spare parts other than these are used, this can have a negative effect on the specified characteristics, the functionality and safety of the Swivel. Using non-original or unauthorised spare parts will render the guarantee null and void.

Contact us to order spare parts or accessories.

1. Safety

Explanation of symbols and signs

To improve understanding, the following conventions should be met for these instructions:



DANGER!

Warns of a situation of immediate danger, which will lead to severe or fatal injuries if not avoided.



WARNING!

Warns of a potentially dangerous situation, which will lead to severe or fatal injuries if not avoided.



CAUTION!

Warns of a potentially dangerous situation, which will lead to slight or minor injuries or material damage if not avoided.



ATTENTION!

Indicates a potentially dangerous situation, which can cause material damage if not avoided.



Gives a reference to important information in other sections and documents.



Contains general notes and useful information.

1. Safety

The installation company itself is responsible for adherence to the safety regulations when installing the Swivel. Installation is carried out at the sole risk installation company. The manufacturer will accept no liability whatsoever for damage caused during installation of the Swivel. Unless such damage is caused by grossly negligent or intentional breach of contract on the part of the manufacturer. In addition to the information given in these installation instructions, local legislative regulations must be taken into consideration, in particular those regarding safety and accident prevention.

1.1 Intended use

The Swivel described in this manual is only intended for seating.

Intended use also requires that:

- All data in this manual is observed and understood.
- All safety instructions are observed and understood.



Incorrect installation of this product can lead to damage or even personal injury!

This product may not be used when:

- Any malformation to the product or damage have been discovered.
- Product parts are incomplete.

1.2 Personnel requirements

The Swivel must only be installed by trained, specialist personnel:

- Who have read and understood these installation instructions.
- Of whom it can be expected, that they will execute the job entrusted to them in a responsible and reliable manner.
- Who have been expressly assigned by the vehicle's owner to install the Swivel.

2. Installation

2.1 Safety information for installation



DANGER!

Danger through use of unsuitable installation materials.

Unsuitable installation materials are unable to withstand the traffic forces encountered during operation of the vehicle. Multiple risks of injury for passengers can arise as a result of this. Material damage can be caused. Therefore:

- Only use the installation materials provided for installation.



DANGER!

Danger through screws becoming loose.

If screws are not tightened to the specified torque, they can become loose during operation of the vehicle. This can result in accidents being caused. Therefore:

- Tighten all fastening screws to the torque specified in section 2.6, page 13.



ATTENTION!

Material damage can be caused by incorrect installation. Therefore:

- Read these Installation Instructions thoroughly before installation, so that you are familiar with the entire installation procedure.

2.2 Checklist before installation

Tools needed:

1. Wrench/Torque wrench



Installation materials:

Before starting installation, check the completeness of the supplied installation materials according to the following charts on the next page 7 and on page 8 for more info about the Swivel handle location:

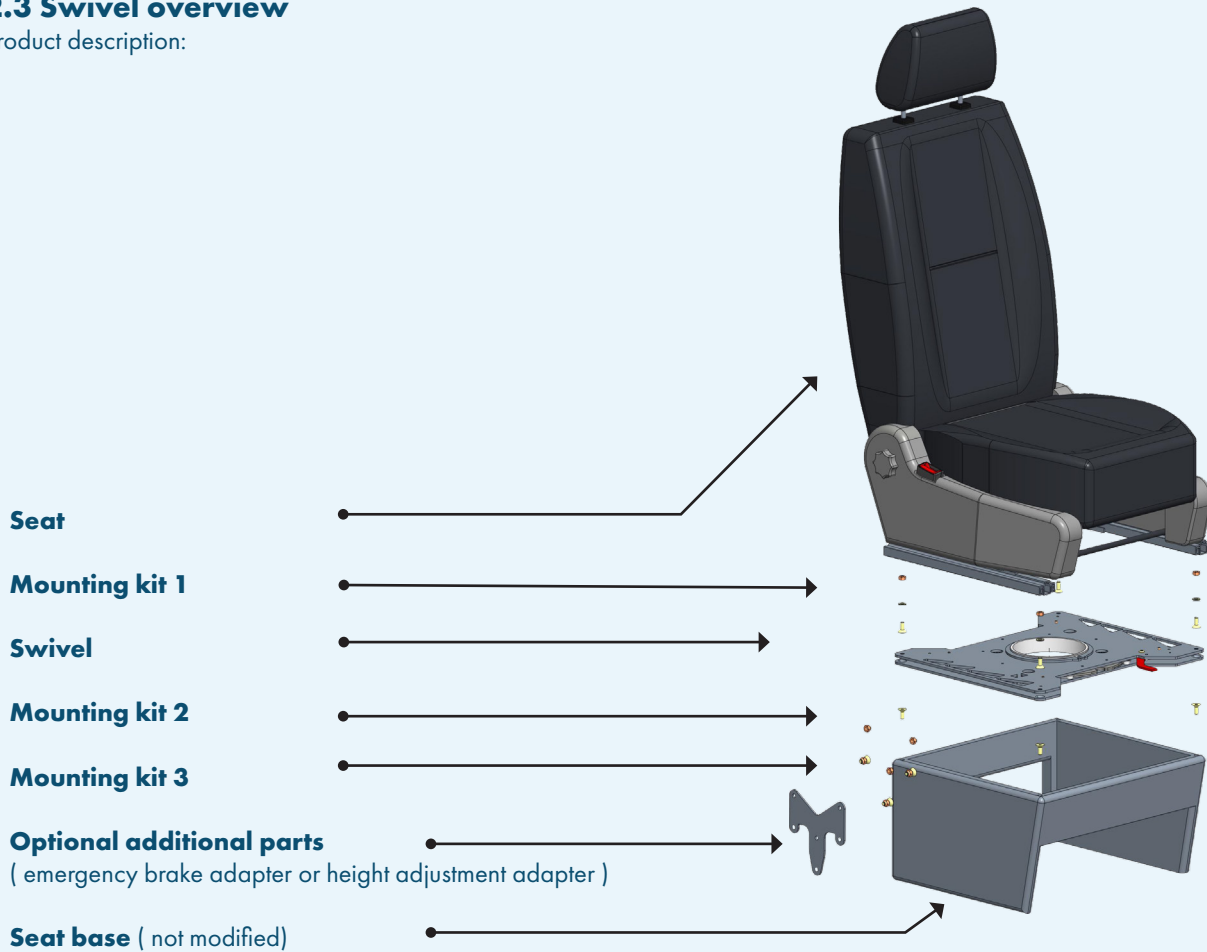
VEHICLE	SIDE	MOUNTING KIT 1	MOUNTING KIT 2	MOUNTING KIT 3
Ford Transit	Driver	4x DIN 7991 Bolt M8x20-10.9 4x ISO 7092 Washer M8 4x DIN 985 Self-locking Nut M8	4x DIN 7991 Bolt M8x20-8.8	3x DIN 7991 Bolt M8x20-10.9 3x DIN 933 Bolt M8x20 - 8.8 6x DIN 985 Self-locking Nut M8
	Passenger	4x DIN 7991 Bolt M8x20-10.9 4x ISO 7092 Washer M8 4x DIN 985 Self-locking Nut M8	4x DIN 7991 Bolt M8x20-8.8	-
Mercedes-Benz Sprinter 906	Driver	4x DIN 7991 Bolt M10x20-10.9 4x DIN 985 Self-locking Nut M10	4x DIN 7991 Bolt M10x20-10.9	2x DIN 7991 Bolt M10x20-10.9 2x DIN 933 Bolt M10x20-8.8
	Passenger	4x DIN 7991 Bolt M10x20-10.9 4x DIN 985 Self-locking Nut M10	4x DIN 7991 Bolt M10x20-10.9	-
Mercedes-Benz Sprinter 907	Driver	4x DIN 7991 Bolt M10x25-10.9 4x DIN 985 Self-locking Nut M10	4x DIN 7991 Bolt M10x35-10.9	2x DIN 7991 Bolt M10x20-10.9 2x DIN 933 Bolt M10x20-8.8
	Passenger	4x DIN 7991 Bolt M10x25-10.9 4x DIN 985 Self-locking Nut M10	4x DIN 7991 Bolt M10x35-10.9	-
Volkswagen Crafter	Driver	4x DIN 7380 Bolt M10x20-10.9 2x DIN 125 Washer M10	4x DIN 7991 Bolt M10x25-10.9	-
	Passenger	4x DIN 7380 Bolt M10x20-10.9 2x DIN 125 Washer M10	4x DIN 7991 Bolt M10x25-10.9	-
Volkswagen T6	Driver	4x DIN 7991 Bolt M8x20-10.9 4x DIN 985 Self-locking Nut M8	2x original seat base bolt M8 4x original seat base nut M8 2x DIN 7991 Bolt M8x20-10.9	2x DIN 933 Bolt M8x25-8.8 2x ISO 4032 Nut M8
	Passenger	4x DIN 7991 Bolt M8x20-10.9 4x DIN 985 Self-locking Nut M8	2x original seat base bolt M8 4x original seat base nut M8 2x DIN 7991 Bolt M8x20-10.9	-
Fiat Ducato	Driver	6x DIN 7991 Bolt M8x35-10.9 6x DIN 985 Self-locking Nut M8	6x DIN 7991 Bolt M8x20-10.9	-
	Passenger	6x DIN 7991 Bolt M8x35-10.9 6x DIN 985 Self-locking Nut M8	6x DIN 7991 Bolt M8x20-10.9	-
Renault Traffic	Driver	4x DIN 7991 Bolt M10x18-10.9 4x ISO 4032 Nut M10	4x DIN 7991 Bolt M10x60-10.9	-
	Passenger	4x DIN 7991 Bolt M10x18-10.9 4x ISO 4032 Nut M10	4x DIN 7991 Bolt M10x25-10.9	-
Maxus Deliver 9	Driver	4x DIN 7991 Bolt M8x20-10.9 4x ISO 7092 Washer M8 4x DIN 985 Self-lockin Nut M8	4x DIN 7991 Bolt M8x20-8.8	-
	Passenger	4x DIN 7991 Bolt M8x20-10.9 4x ISO 7092 Washer M8 4x DIN 985 Self-lockin Nut M8	4x DIN 7991 Bolt M8x20-8.8	-

2. Installation

VEHICLE	VERSION	SIDE	SWIVEL HANDLE LOCATION	HANDBRAKE KIT
Ford Transit Ford Transit Custom	GB	Driver	Front	yes
		Passenger	Front	
	EU	Driver	Front	
		Passenger	Front	
Mercedes-Benz Sprinter 906 (2006-2018) Volkswagen Crafter 2E Freightliner/Dodge Sprinter	GB	Driver	Left	yes
		Passenger	Right	
	EU	Driver	Right	
		Passenger	Left	
Mercedes-Benz Sprinter 907/910 (2018-current) Freightliner/Dodge Sprinter	GB	Driver	Left	yes
		Passenger	Right	
	EU	Driver	Right	
		Passenger	Left	
Volkswagen Crafter/MAN TGE	GB	Driver	Left	
		Passenger	Right	
	EU	Driver	Right	
		Passenger	Left	
Volkswagen T5/T6	GB	Driver	Left	yes
		Passenger	Right	
	EU	Driver	Right	
		Passenger	Left	
Fiat Ducato Citroën Jumper Opel/Vauxhall Movano Peugeot Boxer Ram ProMaster	GB	Driver	Left	
		Passenger	Right	
	EU	Driver	Right	
		Passenger	Left	
Renault Traffic Opel Vivaro Nissan NV300 Fiat Talento	GB	Driver	Left	
		Passenger	Right	
	EU	Driver	Right	
		Passenger	Left	
Maxus eDeliver 9 Deliver 9	GB	Driver	Front	
		Passenger	Front	
	EU	Driver	Front	
		Passenger	Front	

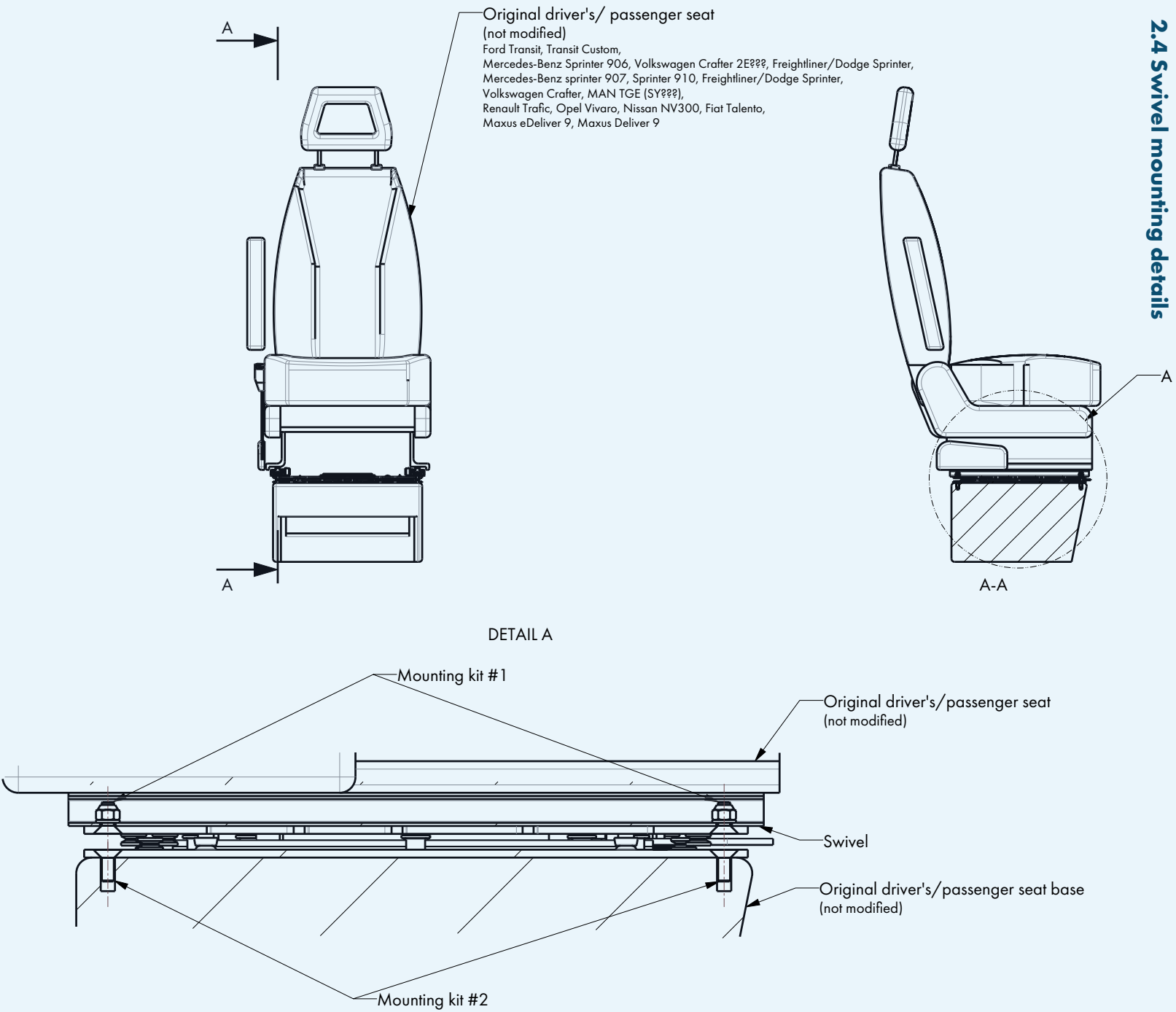
2.3 Swivel overview

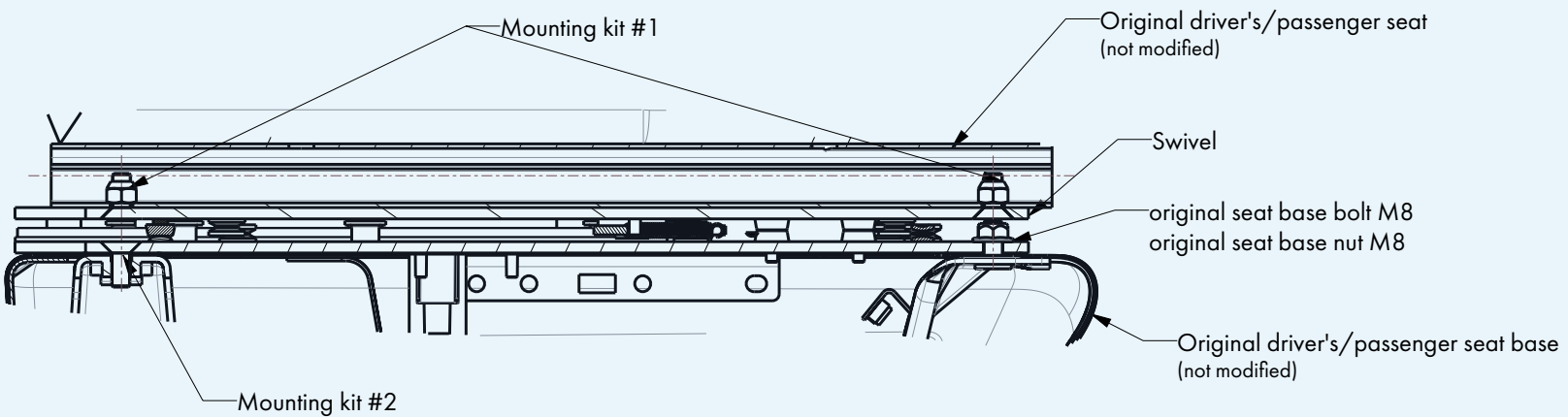
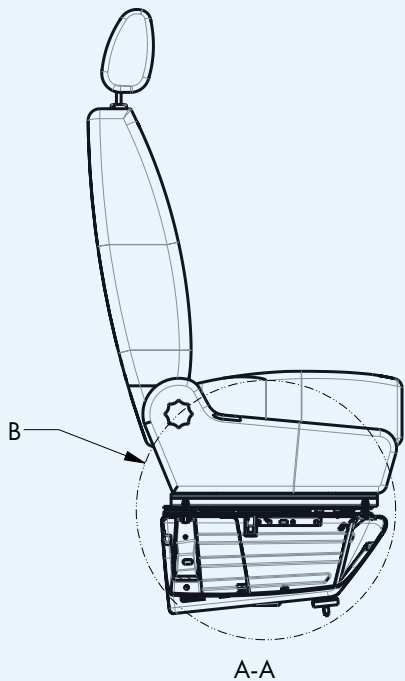
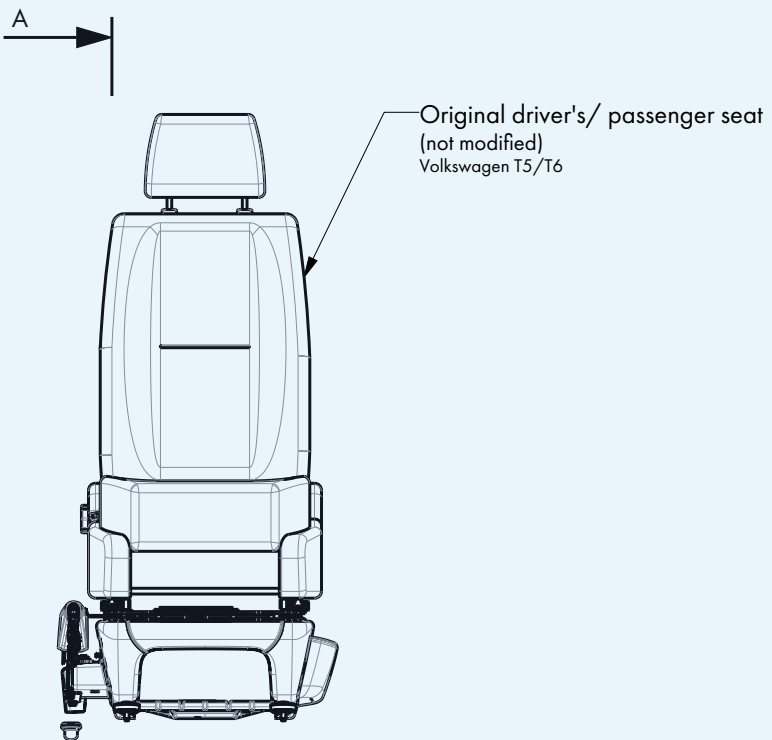
Product description:



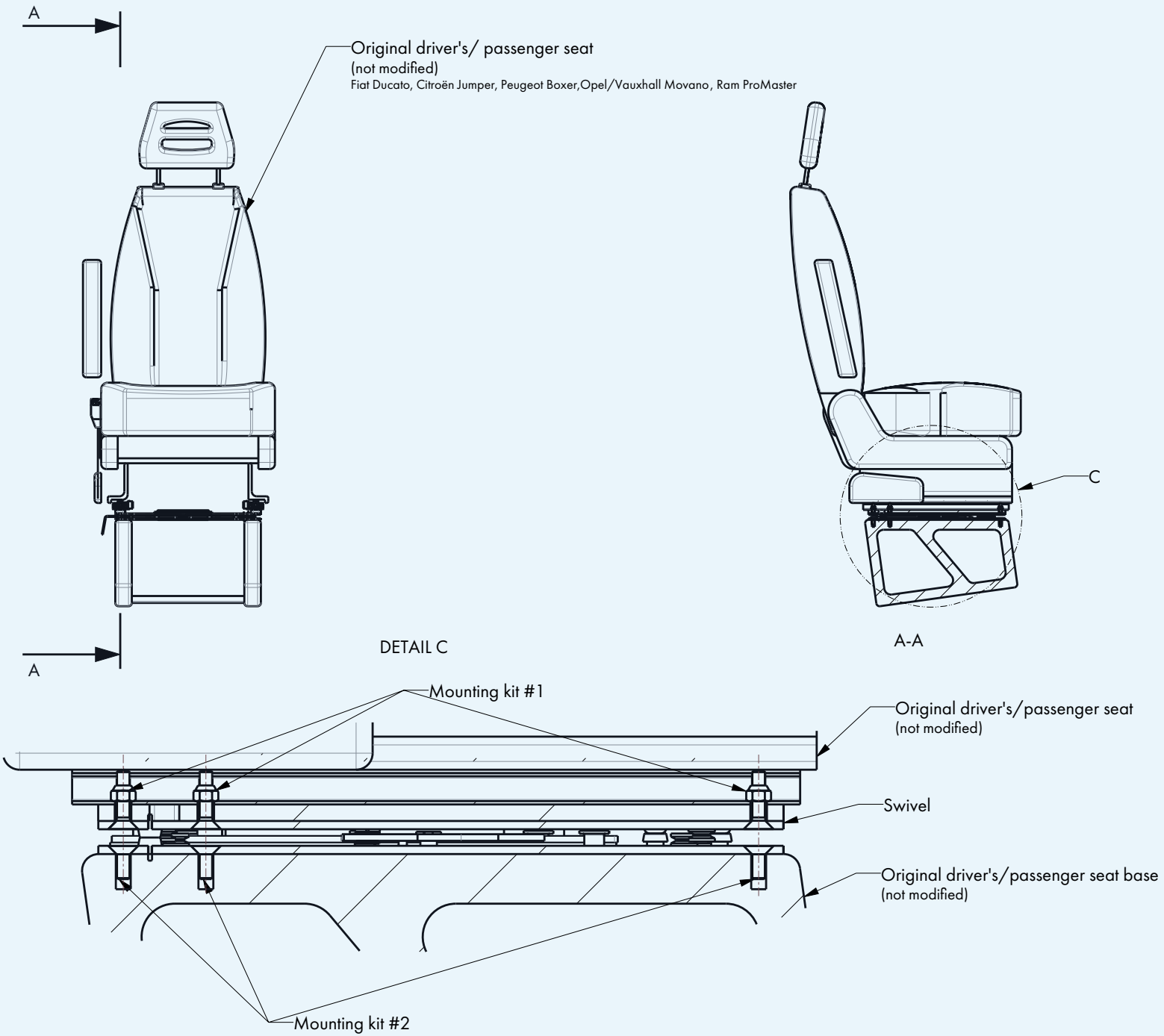
2. Installation

2.4 Swivel mounting details





2. Installation



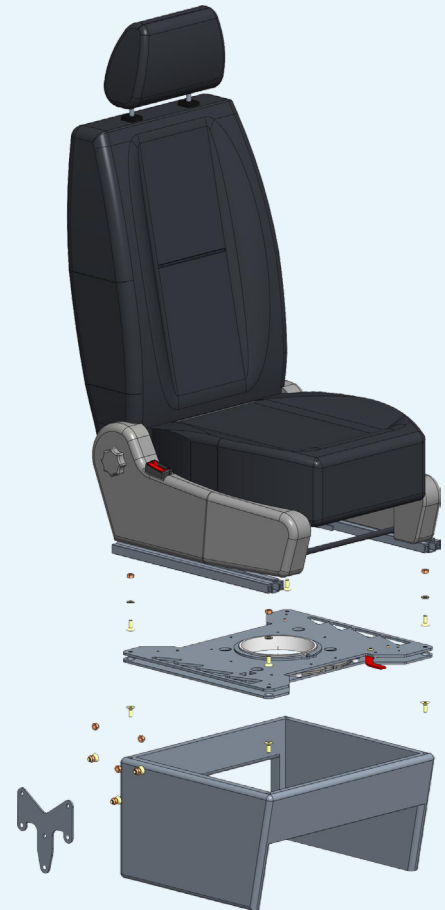
2. Installation

2.5 Installation guide of the Swivel

Follow the following steps:

1. Unscrew seat from seat base
2. Put the swivel between seat and seat base as shown in the figure on the right.
3. Firstly screw swivel to the seat base, then screw the seat. Use bolts detailed in table on page 7.
4. If the model requires it, install the emergency brake adapter or height adjustment adapter.

Tighten all fastening screws to the torque specified in section 2.6.



2.6 Standard Threaded Steel Screws

Property Class	8.8		10.9
	Steel in steel	Steel in aluminium	Steel in steel
M6	10 Nm	7 Nm	15 Nm
M8	25 Nm	18 Nm	36 Nm
M10	50 Nm	30 Nm	72 Nm
M12	85 Nm	50 Nm	125 Nm
M14	135 Nm		200 Nm
M16	210 Nm		310 Nm



The tightening torques specified here do not apply to the original vehicle-specific screws. All screws must be tightened to the standard tightening torques (+/- 15%).

If deviating tightening torques and tolerances are required for individual screws, a note to this effect will be included in the respective installation steps.

The specified tightening torques are recommendations. The company responsible for the conversion is also responsible for making certain that all screws are tightened to the correct tightening torque.

3. Operating instructions

3.1 How to operate the Smart Swivel

Follow the checklist below before you start to swivel the seat.

This will prevent damage of the Smart Swivel or to the surrounding area while adjusting the seat.

Also will this maximize the working space during the use of the product.

Checklist:

1. If your vehicle is equipped with an adjustable steering wheel, make sure the steering wheel is in the most inward position (towards the dashboard).
2. Before you want to Swivel the seat, do not sit or leave any weight on the seat.



Sitting on the seat while trying to swivel may cause damage to the product!

3. If your vehicle is equipped with a height adjusted seat, make sure that it's not on its lowest seating height.



*Do not try and force the seat to swivel when the seat is on the lowest position!
This may cause damage to the product!*

4. Put the backrest of the seat in a straight position before you start to swivel.



This will give more free space to rotate the seat without hitting the surrounding area.

5. Check the handbrake lever position to make sure the seat will not interfere during rotating. If so release the handbrake but make sure the vehicle is put in gear or in parking mode.



For some vehicle models, a so-called handbrake kit is required to re-locate the handbrake lever so the hand brake does not interfere the seat while rotating.

3.2 Before departure

1. Follow the checklist above in reverse order.
2. Check if the Smart Swivel is locked in the correct position before driving the vehicle (forward facing direction).



The Smart Swivel does not lock in the rearward facing direction.

CAUTION!



Do not forget to lock the Smart Swivel and the seat before driving the vehicle.